



ENHANCED SURGE PROTECTION MODULES

5 PIN - HYBRID/CAT5e MODULE SERIES

4B6S-30e, 4B6S-75e, 4B6FS-240e & 4B6S-300e

5 PIN - CAT5e/Hybrid - Surge Protection Module



Product Specifications

UL 497 Primary Protector for Communication Circuits

The Hybrid/CAT5e Series 5 pin protector module offers the most extreme protection and fastest throughput available (**1000 Mbps/1 Gbps and Clamping Speeds of 2 - 3 Nanoseconds**) providing the bandwidth power to handle everything from POTs to VOIP, xDSL and your network.

The Hybrid/CAT5e Series employs multiple layers of protection to guard your most sensitive voice and data networks against any type of surge.

The 4 - Series features PTC (positive temperature coefficient) technology. These optional self-resetting current limiters provide effective protection from 'sneak current' faults. The PTC is vastly superior to the heat coil solution, which requires that the module be replaced after each 'sneak current' event.

Extreme, Heavy Duty Surge Handling Capabilities

Combines Gas Tube, Solid State and Silicone Diodes for your most Sensitive Equipment

Certified Category 5e ⁽¹⁾

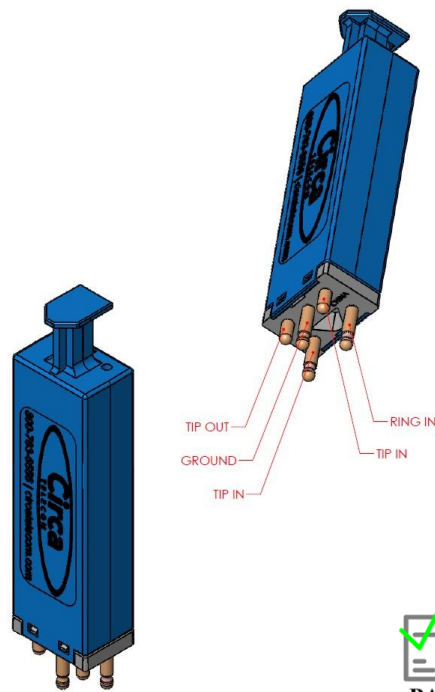
1000 Mbps/1 Gbps Speeds

UL and C UL Listed

2 - 3 Nanosecond Response Time

Integrated Test Points

ISO 9001 Certified Manufacturer



Ordering Information

Model Number	Stock Code	Application	Color	Clamping Voltage
4B6S-30e	780105	For Your Lowest Voltage Applications	Blue	30v
4B6S-75e	780115	Digital Lines, VOIP and Network Protection	Blue	75v
4B6FS-240e	780125	T1, xDSL and Analog Systems	Blue	240v
4B6S-300e	780135	High Bandwidth Over Long Distances	Blue	300v

⁽¹⁾When used in conjunction with the Circa Telecom Enhanced Series of Building Entrance Terminals

4B6S-30e, 4B6S-75e, 4B6FS-240e & 4B6S-300e

5 PIN - CAT5e/Hybrid - Surge Protection Module



Product Specifications

UL 497 Primary Protector for Communication Circuits

Module

DC Break Over - @ 100V/μS

Signal Rating

Frequency

Data Transfer Rate

Max Impulse Life

400A @ 8 x 20 μS

10kA @ 8 x 20 μS

Response Time

Holding Current

Impulse Life

@ 10A @ 10 x 1000/μS

@ 100A @ 10 x 1000/μS

AC Life

@ 10 A rms 1S

@ 1 A rms 1S

@ 0.5 A rms 30S

Capacitance

1V rms @ 1Khz, 20V DC

Insulation Resistance

@ 50V DC

Fail-Safe Operation

@ 60A rms

@ 120A rms

@ 350A rms

Current Limiters - Resettable PTC

Hold Current @ 20° C

Line Series Resistance

Max Interrupting Current

**4B6S-30e
4B6S-75e**

30V/75V

0 - 100 Mhz

0 - 1 Gbps

Unlimited Operations

2

< 5 nanoseconds

50 mA/150 mA

Unlimited Operations

Unlimited Operations

> 5

> 60

> 1

< 20 pF

100M Ω

< 3 Seconds

< 0.5 Seconds

< 0.1 Seconds

180 mA

< 3 Ω

3 A

**4B6FS-240e
4B6S-300e**

240V/300V

0 - 100 Mhz

0 - 1 Gbps

Unlimited Operations

2

< 5 nanoseconds

150 mA

Unlimited Operations

Unlimited Operations

> 5

> 60

> 1

< 20 pF

100M Ω

< 3 Seconds

< 0.5 Seconds

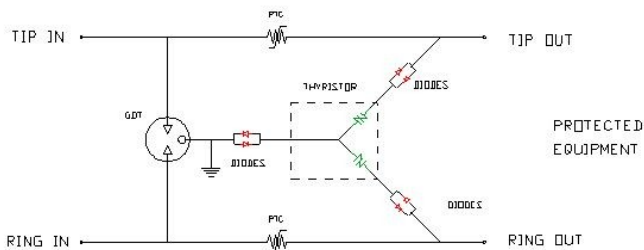
< 0.1 Seconds

180 mA

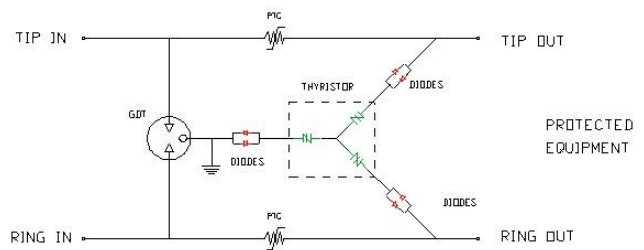
< 3 Ω

3 A

4B6S-30e & 4B6S-75e - Symmetrical



4B6FS-240e & 4B6S-300e - Symmetrical





ENHANCED SURGE PROTECTION MODULES

5 PIN - HYBRID/CAT5e MODULE SERIES

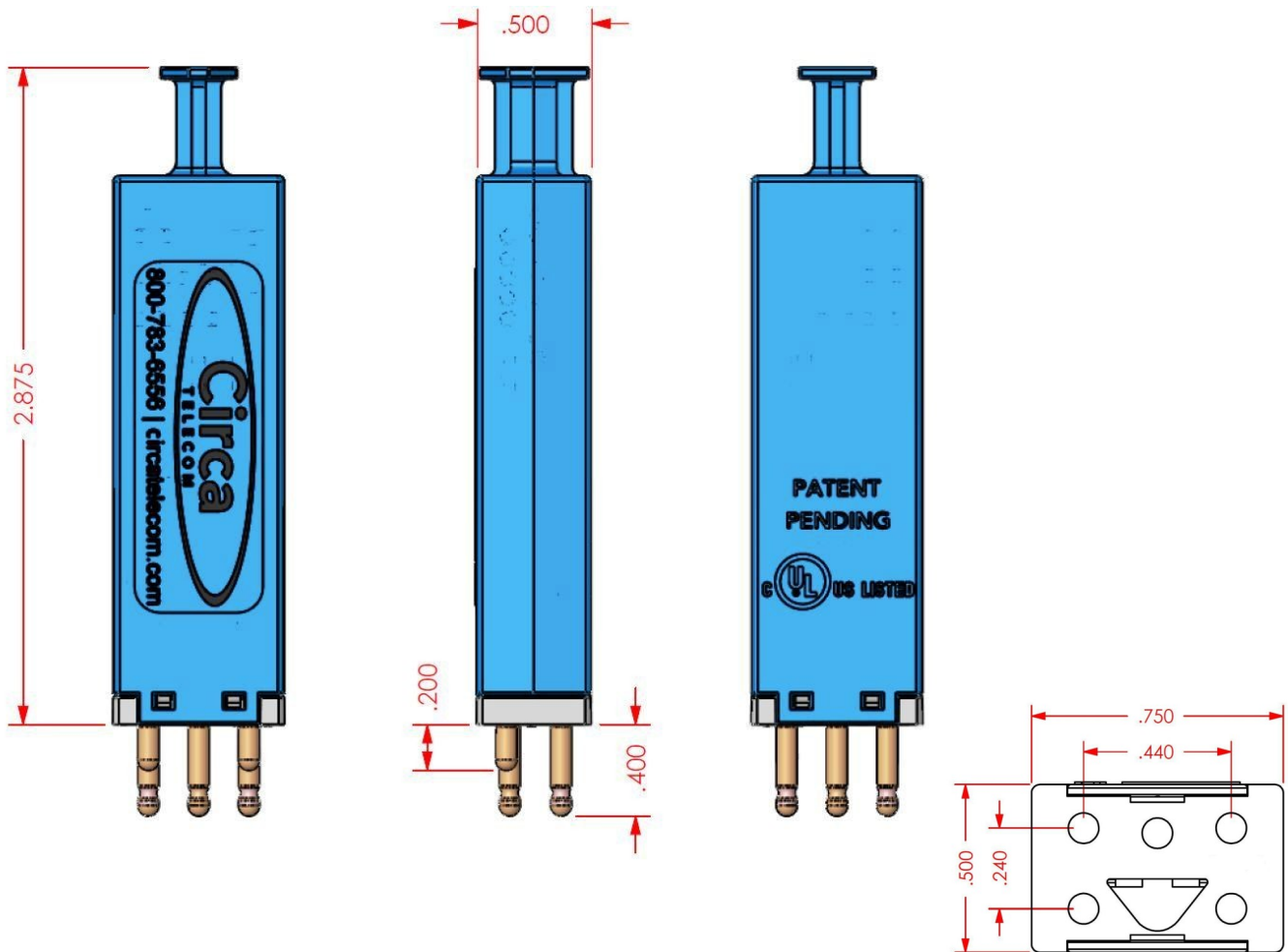
4B6S-30e, 4B6S-75e, 4B6FS-240e & 4B6S-300e

5 PIN - CAT5e/Hybrid - Surge Protection Module



Physical Dimensions

UL 497 Primary Protector for Communication Circuits



Notes

⁽¹⁾When used in conjunction with the Circa Telecom Enhanced Series of Building Entrance Terminals

Pin alloy refers to tip and ring pins. Unless otherwise noted, all ground pins are tin.

Extreme, Heavy Duty Surge Handling Capabilities

1000 Mbps/1 Gbps Speeds

2 - 3 Nanosecond Response Time



Circa Telecom, Inc © 2011 - Version 1.02